

# BIO-CEL<sup>®</sup> - BC100F-C25-UP150

## - Modules for wastewater treatment -

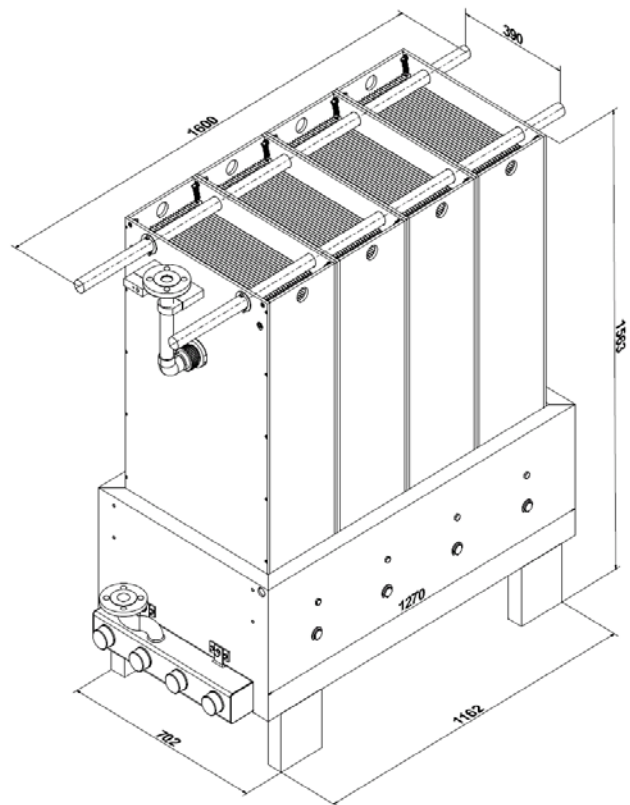
### Data Sheet (00350021)

#### Material

Housing	Polyvinyl chloride, Polyethylene
Piping	Polyvinyl chloride (PVC)
Connections	Stainless Steel
Membrane	Polyether sulfone (PES)
Drainage	Polyester
Sealings	EPDM
Diffusor	PP/EPDM

#### Membrane and operation data

Membrane area	m <sup>2</sup>	100
Nom. MWCO	kDa	150
Pore size	µm	0.04
Pre treatment, recommended	mm	2
Maximum airflow rate	m <sup>3</sup> /h	60
Max. content suspended solids (SS)	g/l	12
Max. trans membrane pressure during filtration	mbar	400
Max. trans membrane pressure during backwash	mbar	150
Max. operating/storage temperature	°C	40
Min. operating/storage temperature	°C	5
pH range		2 - 11
Chlorine resistance	ppmh	100.000
Length (base frame)	mm	1270
Length (total)	mm	1600
Width	mm	702
Height	mm	1563
Connection aerating	Flange DIN 2633 - TypC Serie1 (ISO), PN16, DN32 x 42.2	
Connection permeate	Lapped flange PP/steel, DN32 (ISO/DIN 2501, PN16)	
Dry weight	kg	225
Wet weight	kg	300
Maximum load	kg	900



MICRODYN-NADIR behält sich das Recht vor, Angaben ohne vorherige Ankündigung anzupassen.  
We reserve the right to change specifications without prior notification.

MICRODYN-NADIR GmbH  
Industriepark Kalle-Albert  
Rheingaustraße 190 – 196  
D-65203 Wiesbaden

Telefon: +49 (0) 611/962-6001  
Telefax: +49 (0) 611/962-9237  
E-Mail: info@microdyn-nadir.de  
Internet: www.microdyn-nadir.de

